

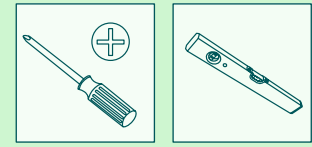
We are so happy you chose a
hama product.

Enjoy using it!



Quick Installation Guide

Required tools

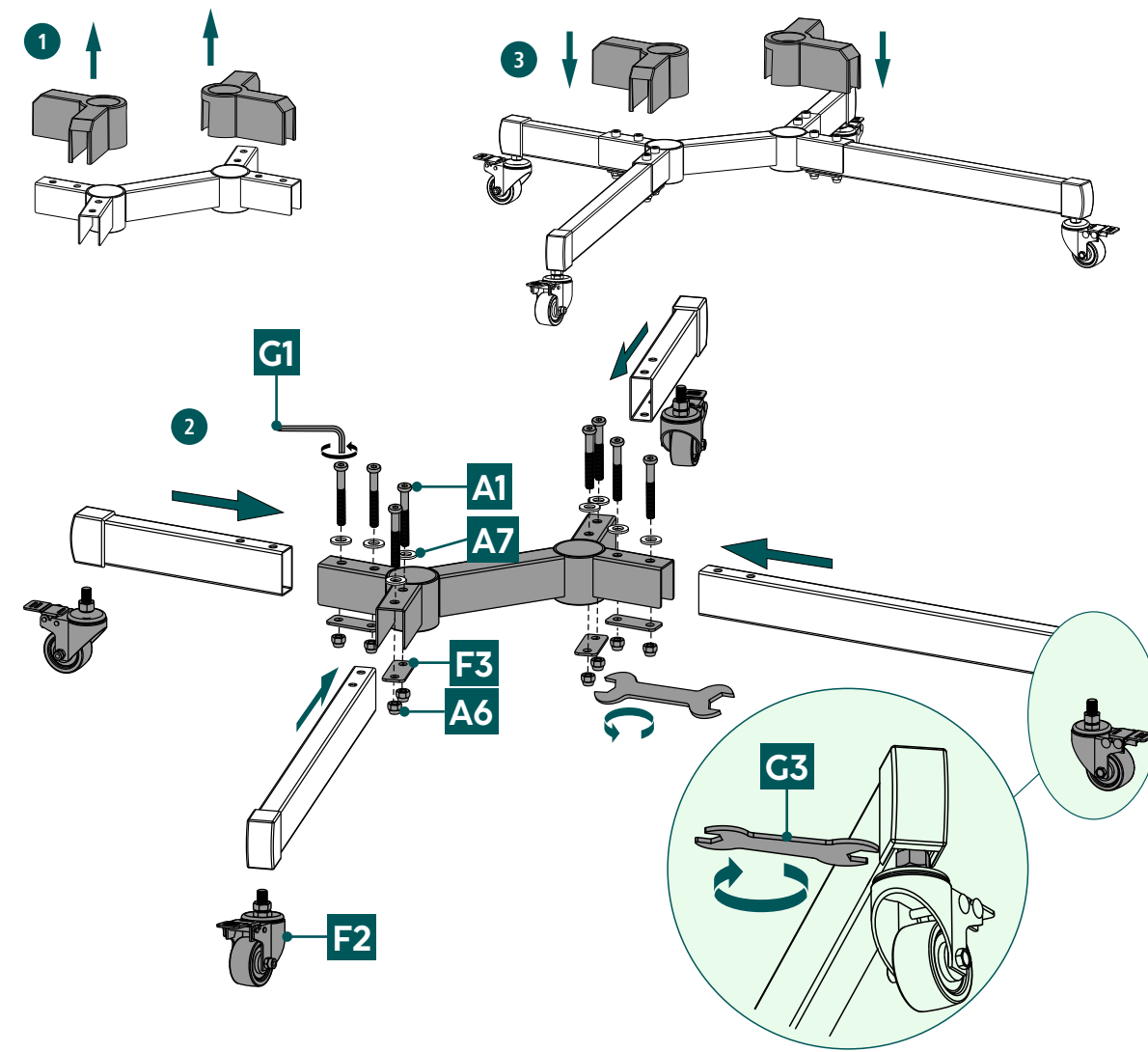


Installation kit

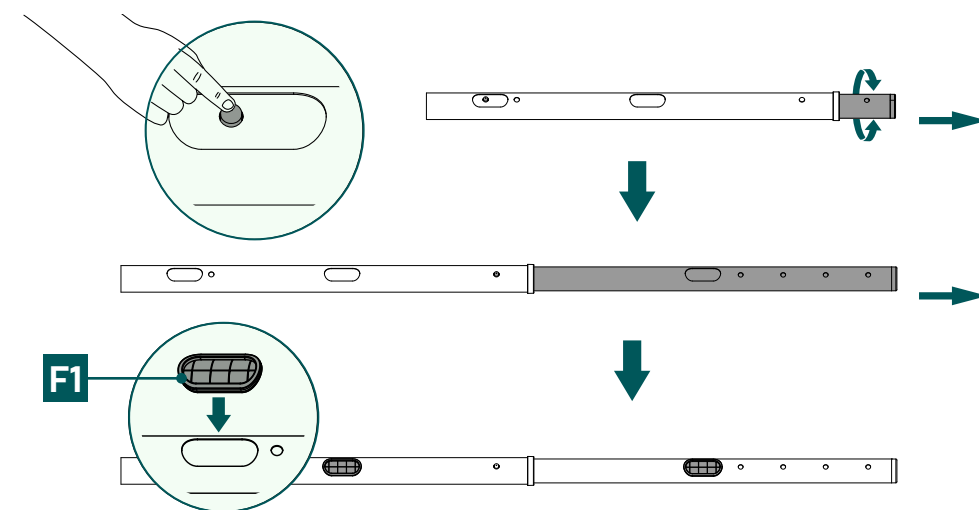
A1		M8x70 (x8)	D2		M8x20 (x4)
A2		M8x60 (x4)	D3		M8x30 (x4)
A3		M10x35 (x2)	D4		M8x50 (x4)
A4		M10 (x2)	E1		M4x12 (x4)
A5		M8 (x4)	E2		M4x20 (x4)
A6		M8 (x12)	F1		(x6)
A7		M8 (x8)	F2		(x4)
B1		M6 (x4)	F3		(x4)
B2		M8x10 (x4)	F4		(x2)
B3		M8x20 (x4)	G1		(x1)
C1		M6x12 (x4)	G2		(x1)
C2		M6x20 (x4)	G3		(x1)
D1		M8x12 (x4)			

H1 x1	
H2 x1	
H3 x1	

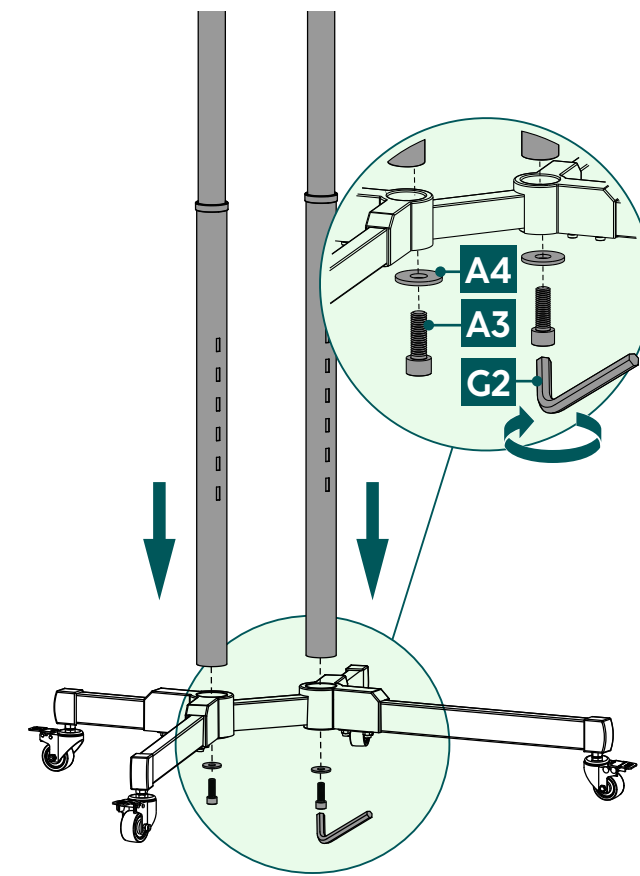
1 Mounting the standing feet



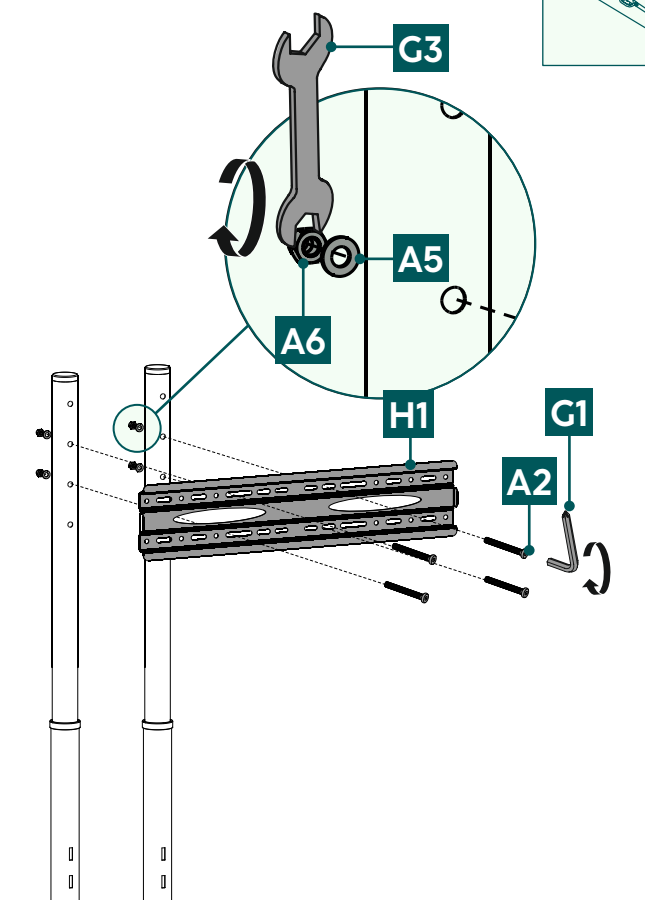
2a Assembling



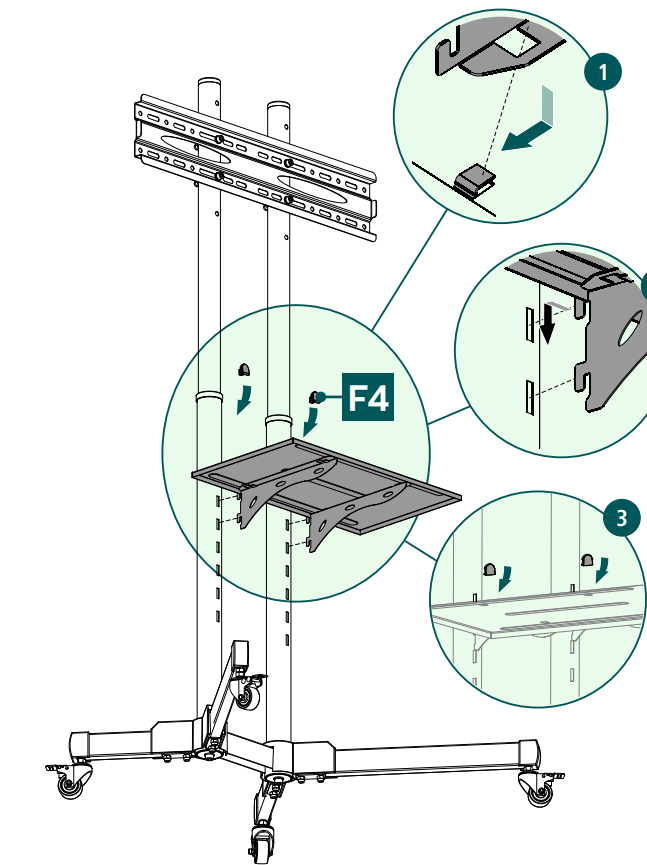
2b Assembling Pipes



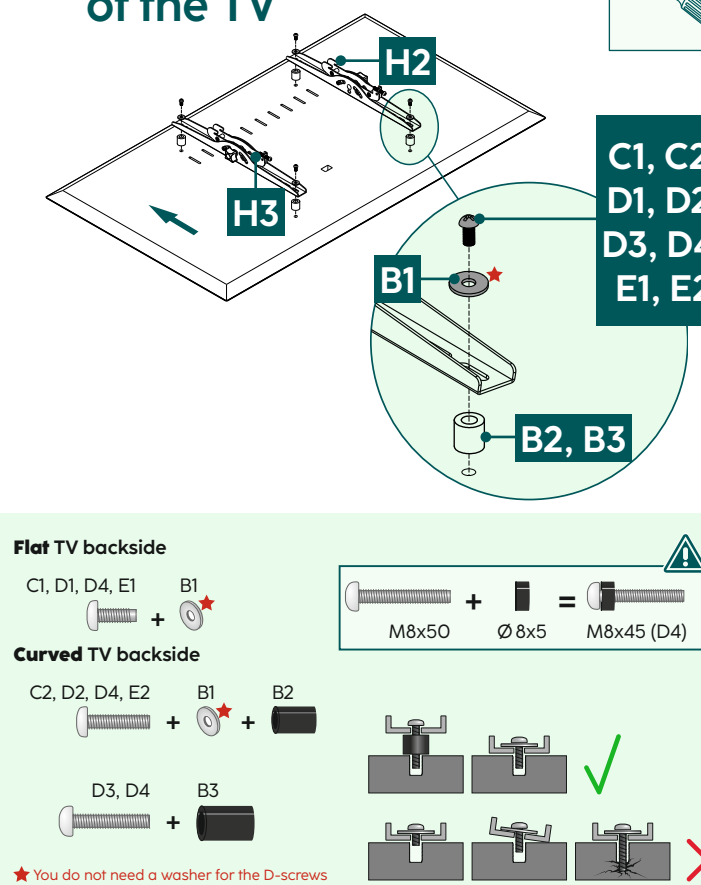
3 Assembling TV plate



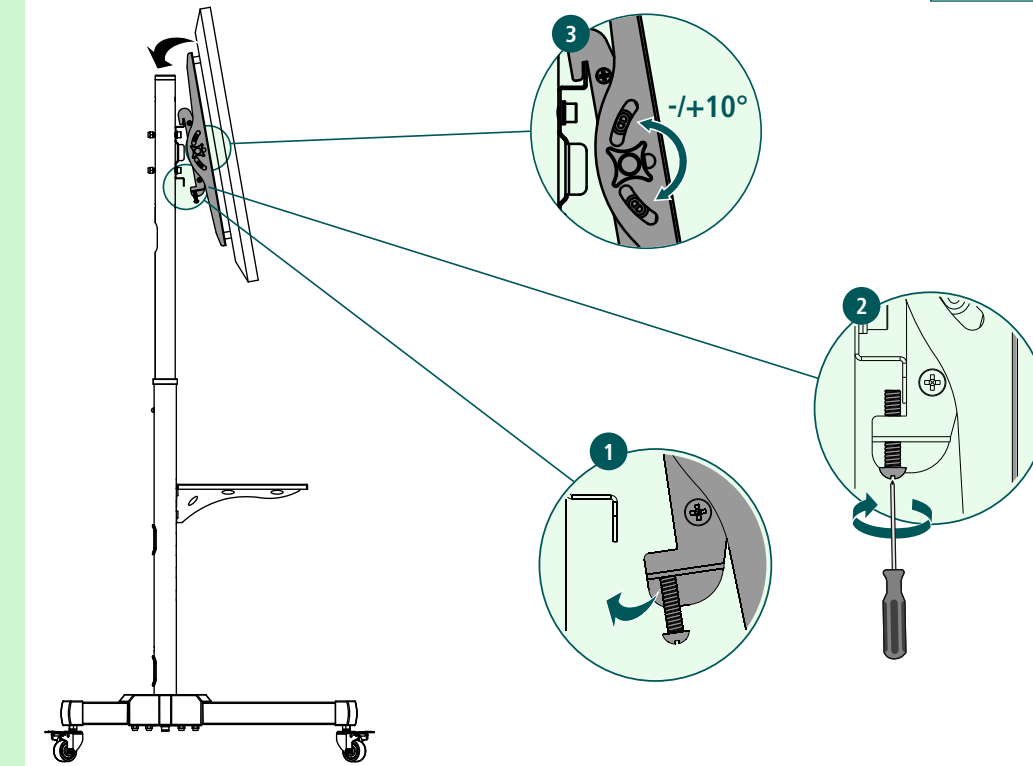
4 Assembling shelf



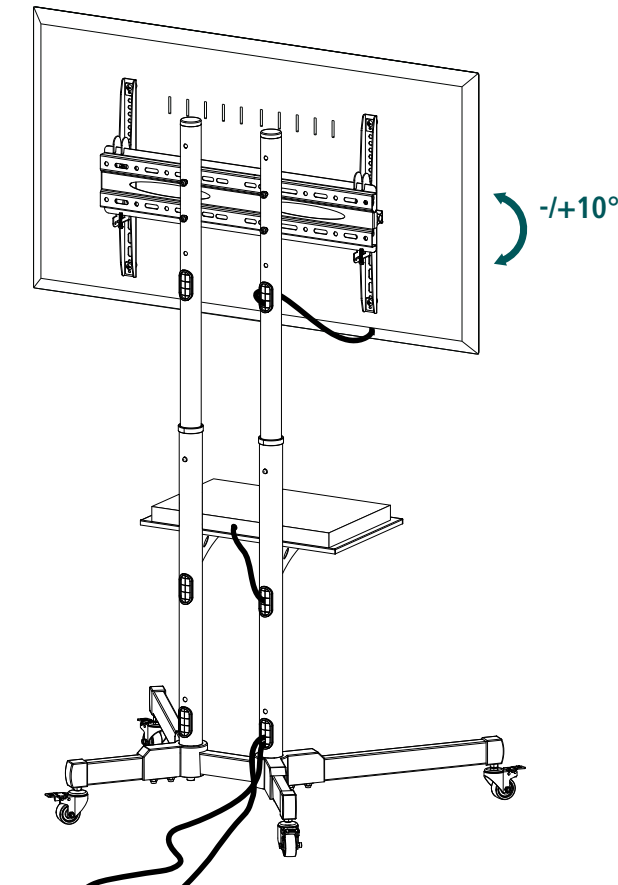
5 Mounting on backside of the TV



6 Adjustment



7 Adjustments



??
Do you need more help?



Scan QR or visit: www.hama.com
00220874 Downloads

