

We are so happy you chose a
hama product.

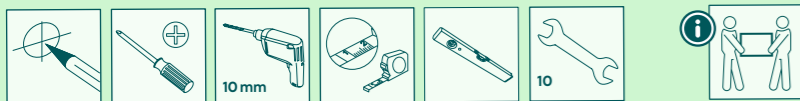
Enjoy using it!

hama



Quick Installation Guide

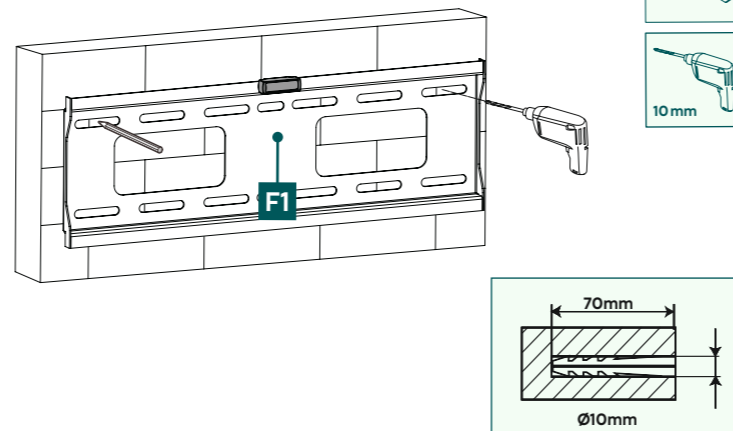
Required tools



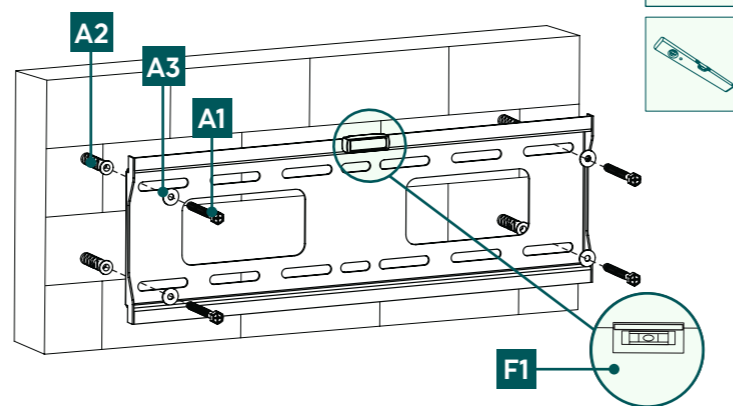
Installation kit

A1	8x60 (x4)	D1	M8x12 (x4)
A2	Ø10x60 (x4)	D2	M8x20 (x4)
A3	M8 (x4)	D3	M8x30 (x4)
B1	M6 (x4)	D4	M8x50 (x4)
B2	Ø8x10 (x4)	E1	M4x12 (x4)
B3	Ø8x20 (x4)	E2	M4x20 (x4)
C1	M6x12 (x4)	F1	(x1)
C2	M6x20 (x4)		

1a Drilling the holes

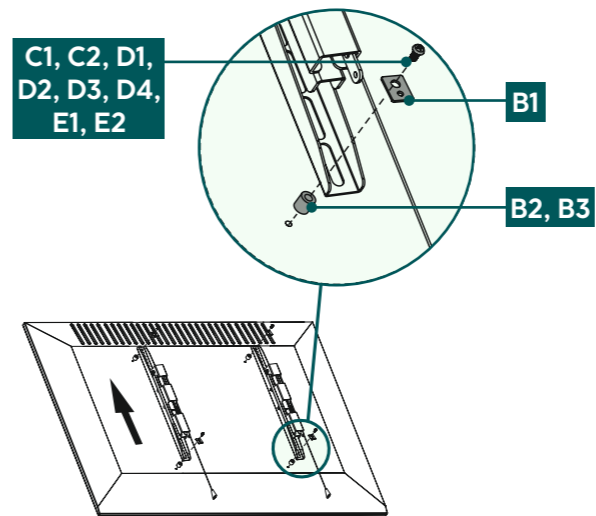


1b Wall mounting the bracket



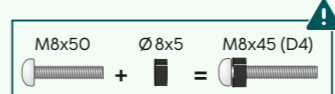
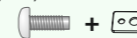
2 Mounting on backside of the TV

C1, C2, D1,
D2, D3, D4,
E1, E2



Flat TV backside

C1, D1, D4, E1 + B1

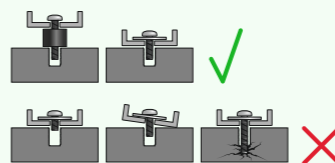
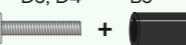


Curved TV backside

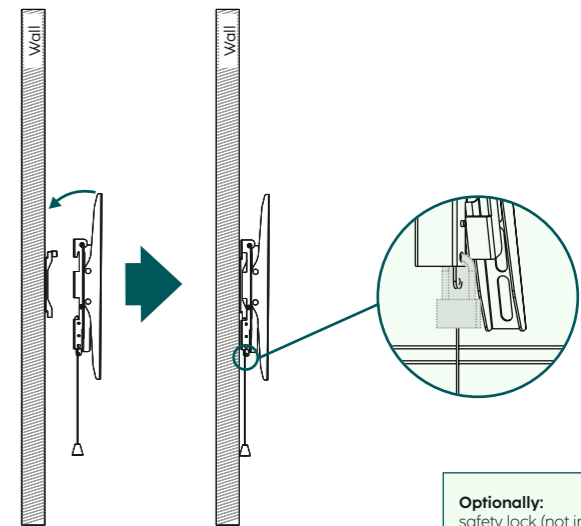
C2, D2, D4, E2 + B1 + B2



D3, D4 + B3



3 Adjustment & Fixing



Optionally:
safety lock (not included)



Do you need
more help?



Scan QR or visit: www.hama.com
➔ 00220858 ➔ Downloads

