

We are so happy you chose a
hama product.

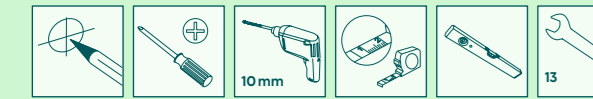
Enjoy using it!

hama



Quick Installation Guide

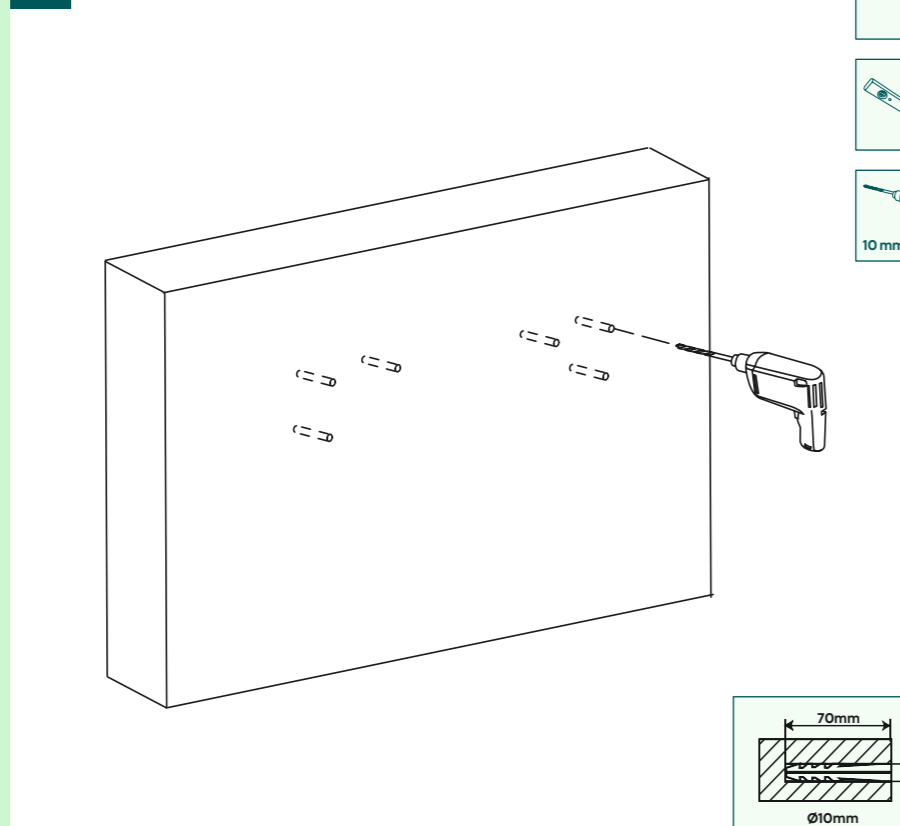
Required tools



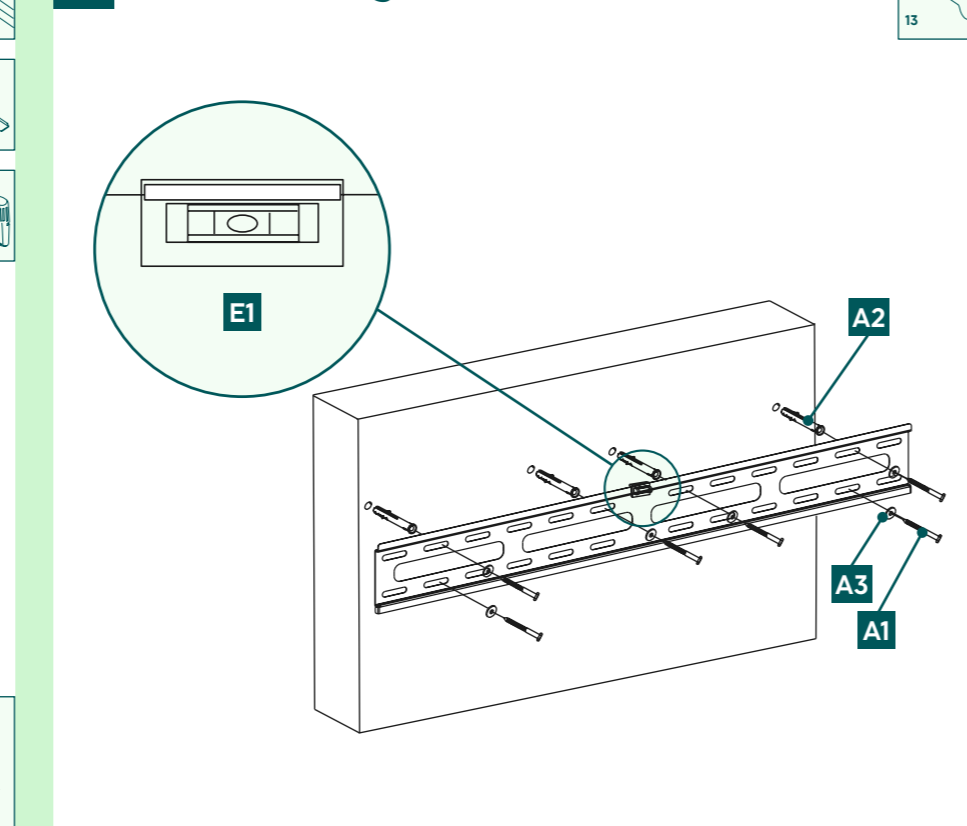
Installation kit

A1		8x60 (x6)	C2		M6x20 (x4)
A2		Ø10x60 (x6)	D1		M8x12 (x4)
A3		M8 (x6)	D2		M8x20 (x4)
B1		M6 (x4)	D3		M8x30 (x4)
B2		Ø8x10 (x4)	D4		M8x50 (x4)
B3		Ø8x20 (x4)	E1		(x1)
C1		M6x12 (x4)			

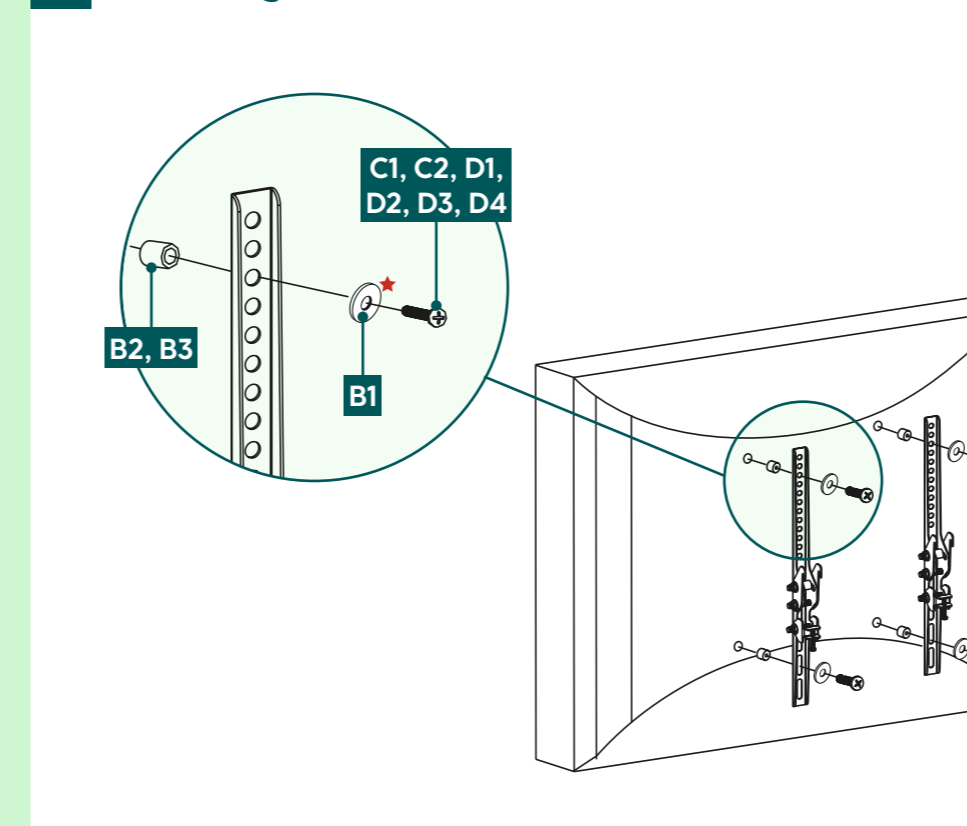
1 Drilling the holes



2 Wall mounting the bracket



3 Mounting on backside of the TV



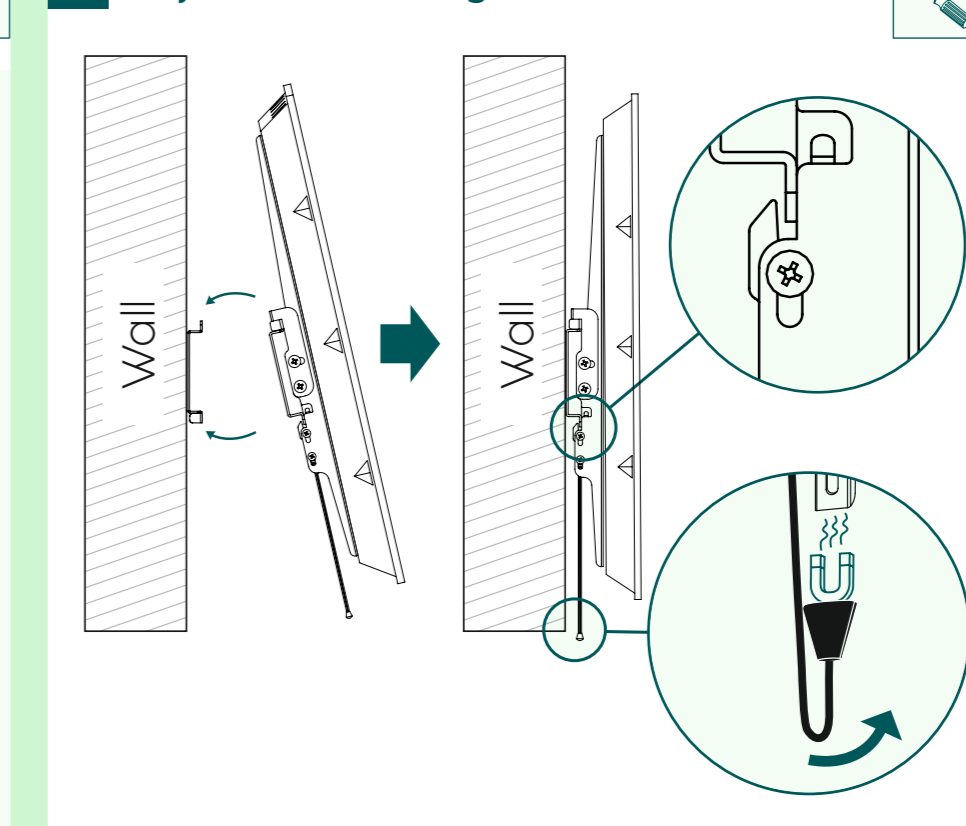
Flat TV backside
C1, D1, D4 + B1

Curved TV backside
C2, D2, D4 + B1 + B2
D3, D4 + B3

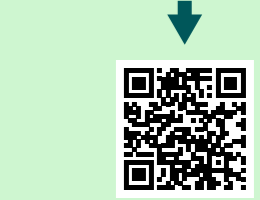
★ You do not need a washer for the D-screws

M8x50 + Ø8x5 = M8x45 (D4)

4 Adjustment & Fixing



Do you need more help?



Scan QR or visit: www.hama.com
00220816 Downloads

