

We are so happy you chose a
hama product.

Enjoy using it!

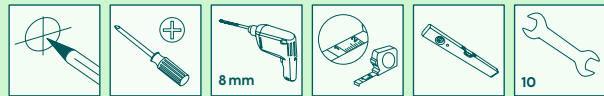
hama



00
220814

Quick Installation Guide

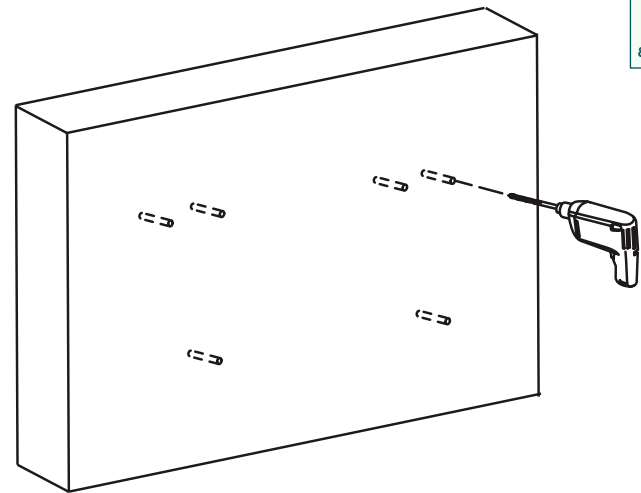
Required tools



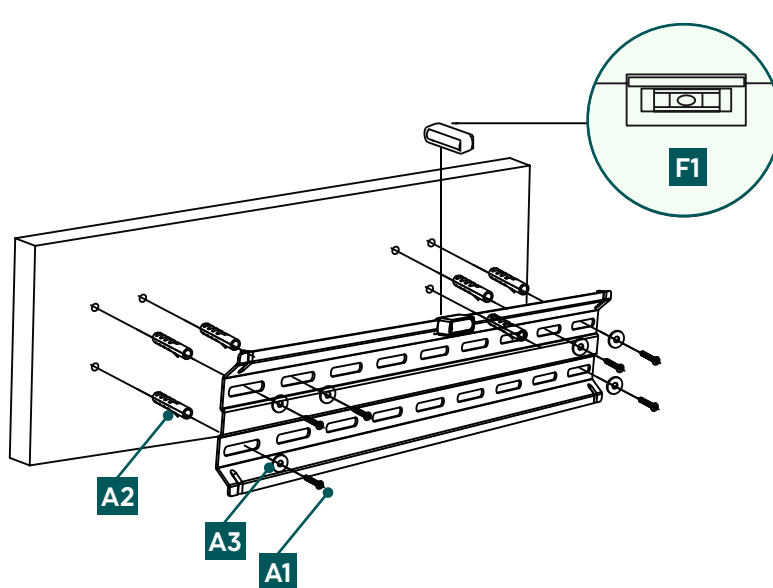
Installation kit

A1		6x60 (x6)	C2		M6x20 (x4)
A2		Ø8x50 (x6)	D1		M8x12 (x4)
A3		M6 (x6)	D2		M8x20 (x4)
B1		M6 (x4)	D3		M8x30 (x4)
B2		Ø8x10 (x4)	D4		M8x50 (x4)
B3		Ø8x20 (x4)	F1		(x1)
C1		M6x12 (x4)			

1 Drilling the holes



2 Wall mounting the the bracket



3 Mounting on backside of the TV

Flat TV backside

C1, D1, D4 + B1

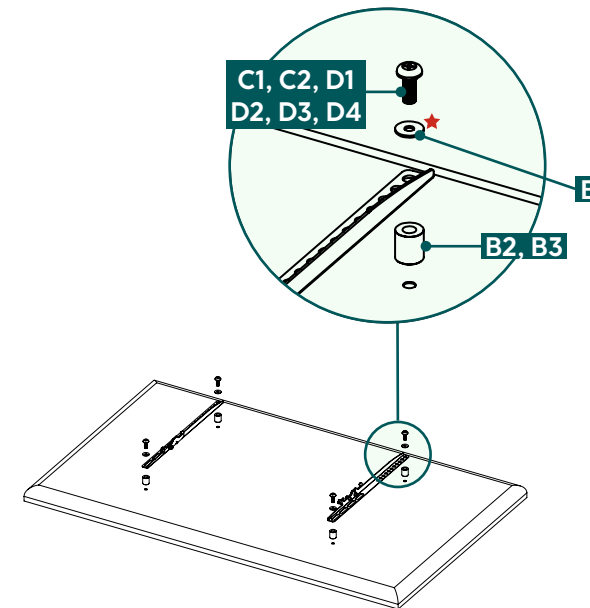
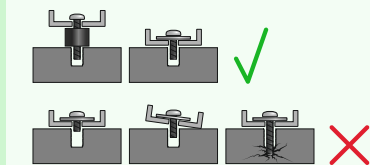
Curved TV backside

C2, D2, D4 + B1 + B2

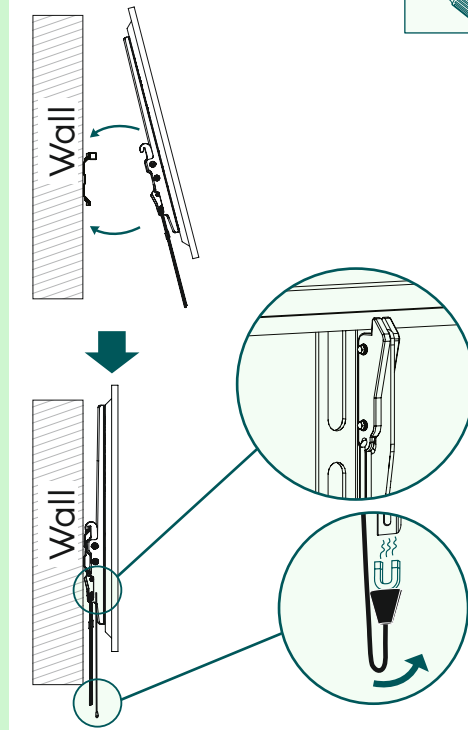
D3, D4 + B3

★ You do not need a washer for the D-screws

M8x50 + Ø8x5 = M8x45 (D4)



4 Adjustment & Fixing



Do you need more help?



Scan QR or visit:
support.hama.com/O0220814

