

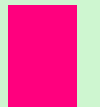
 Do you need more help?



Scan QR or visit: www.hama.com
➔ 🔍 ➔ 00220812 ➔ Downloads

We are so happy you chose a hama product.

Enjoy using it!

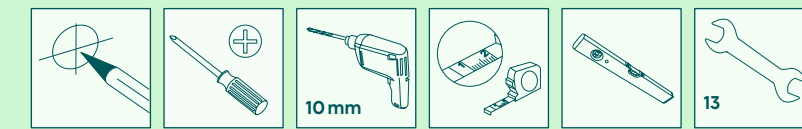


hama



Quick Installation Guide

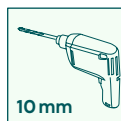
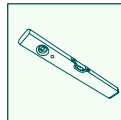
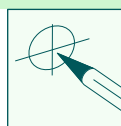
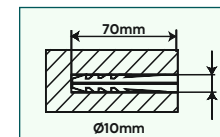
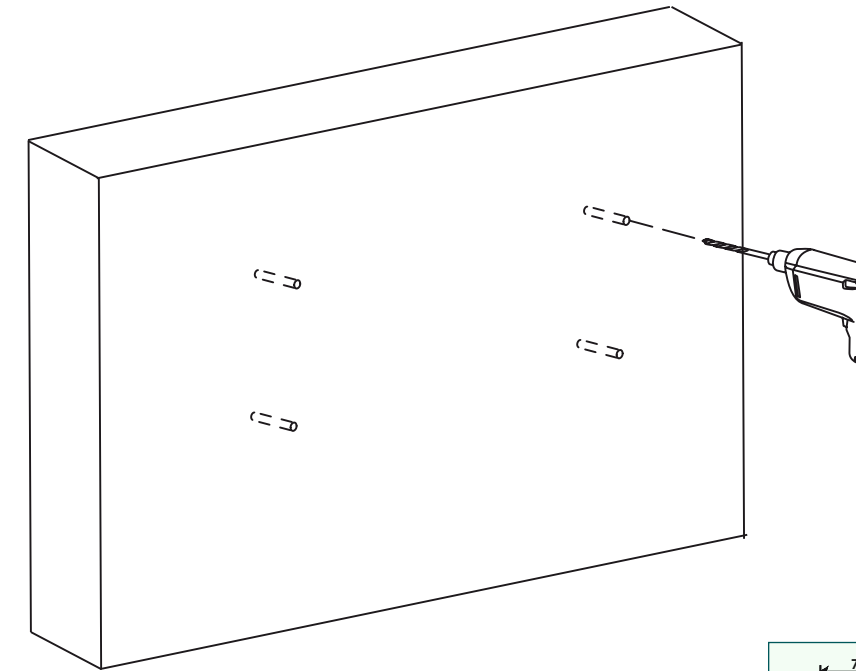
Required tools



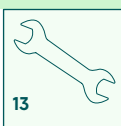
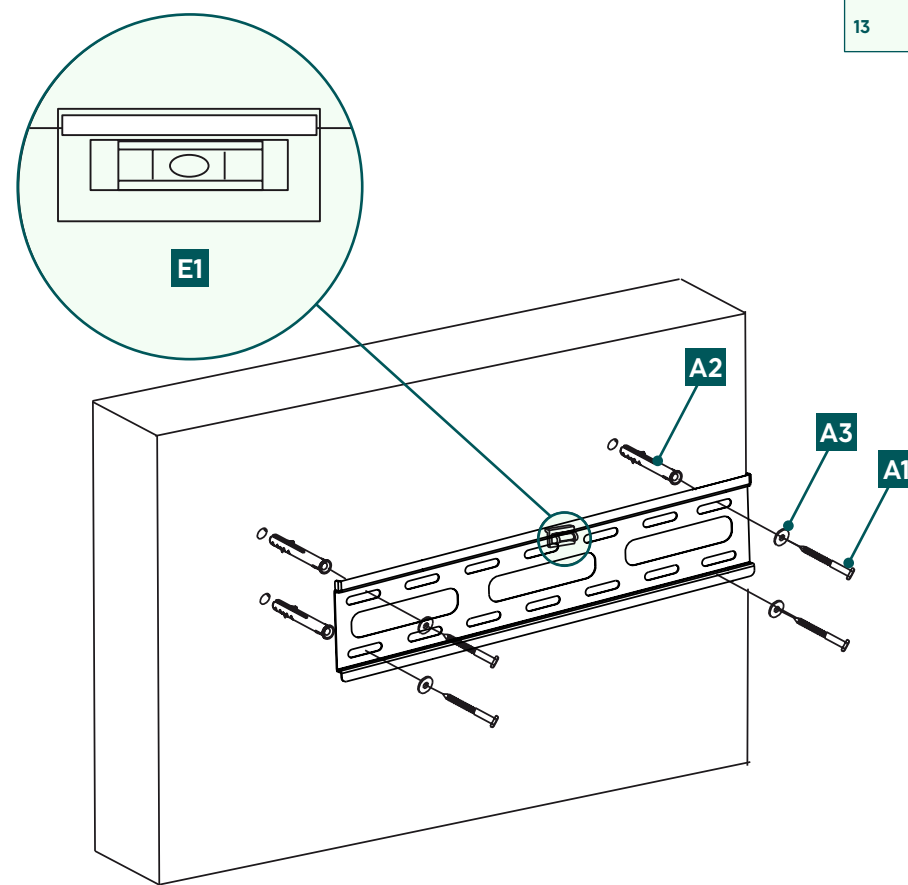
Installation kit

A1		8x50 (x4)	C2		M6x20 (x4)
A2		Ø10x60 (x4)	D1		M8x12 (x4)
A3		M8 (x4)	D2		M8x20 (x4)
B1		M6 (x4)	D3		M8x30 (x4)
B2		Ø8x10 (x4)	D4		M8x50 (x4)
B3		Ø8x20 (x4)	E1		(x1)
C1		M6x12 (x4)			

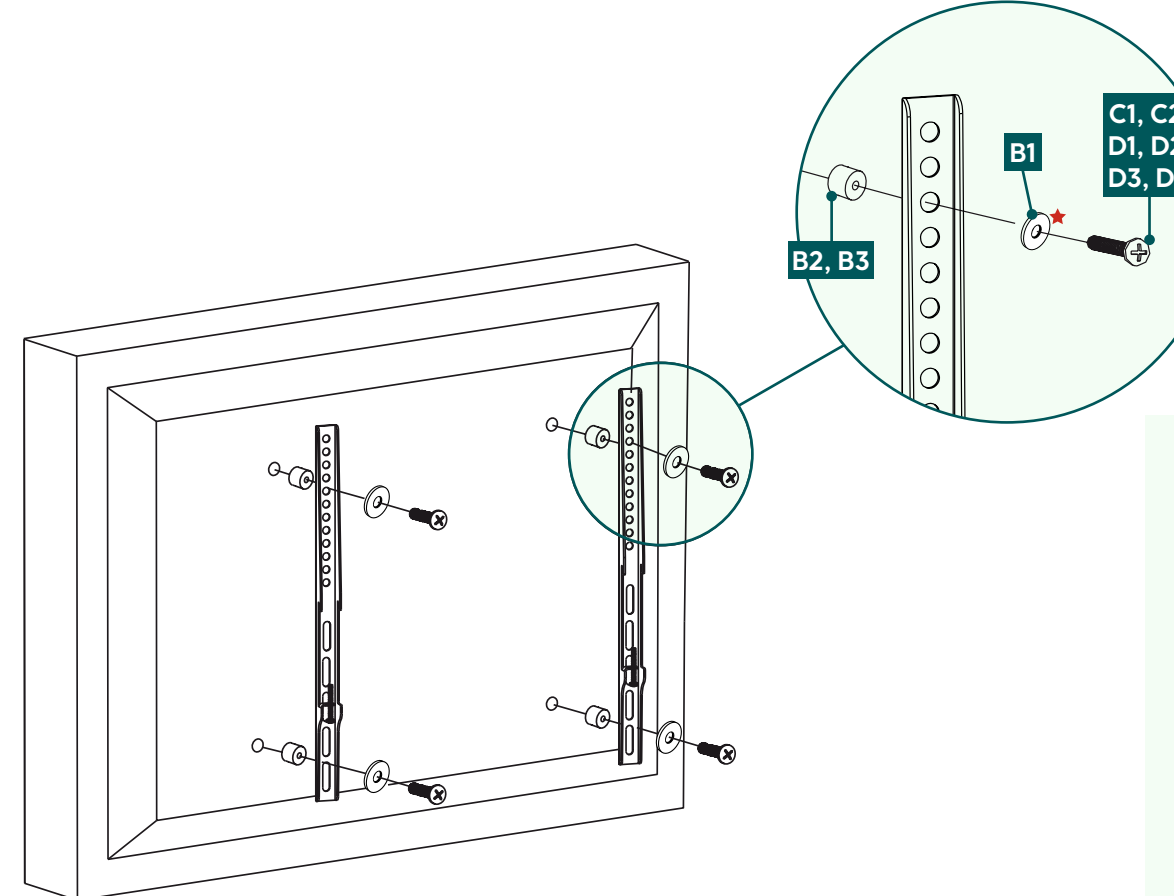
1 Drilling the holes



2 Wall mounting the bracket



3 Mounting on backside of the TV



Flat TV backside

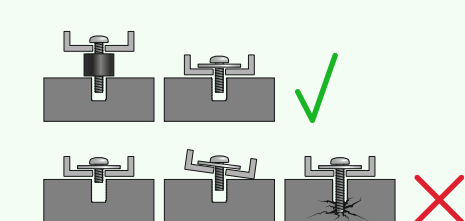
C1, D1, D4 + B1

C2, D2, D4 + B1 + B2

D3, D4 + B3

★ You do not need a washer for the D-screws

M8x50 + Ø8x5 = M8x45 (D4)



4 Adjustment & Fixing

