

 Do you need more help?



Scan QR or visit:
support.hama.com/00220808

We are so happy you chose a hama product.

Enjoy using it!

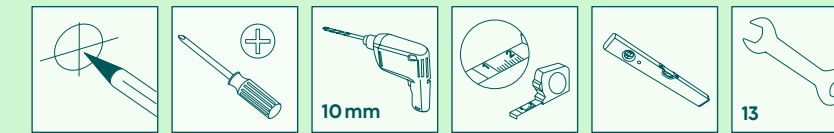


hama



Quick Installation Guide

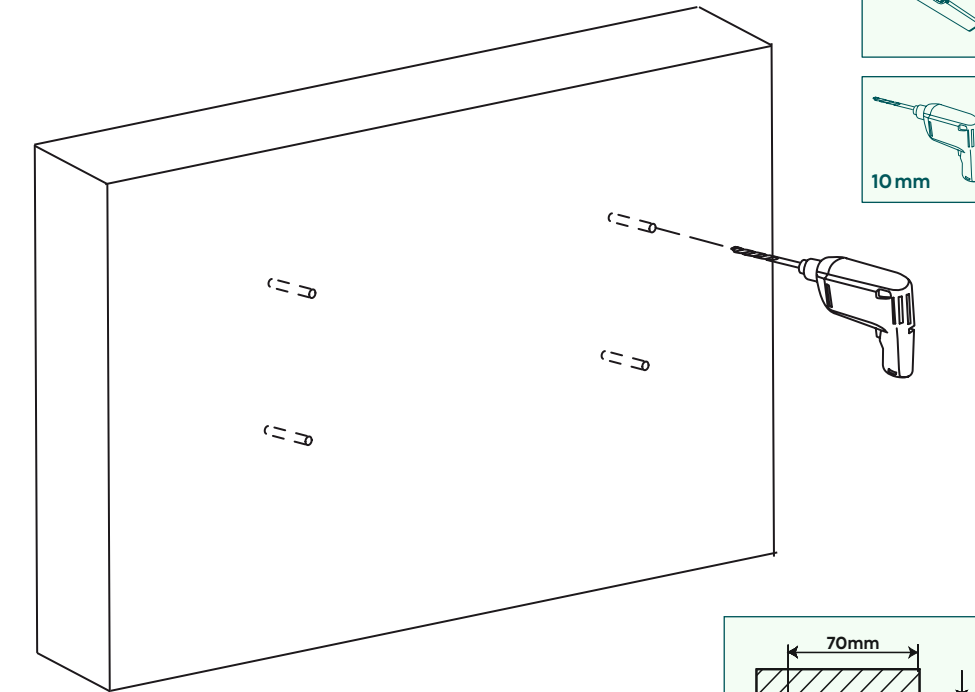
Required tools



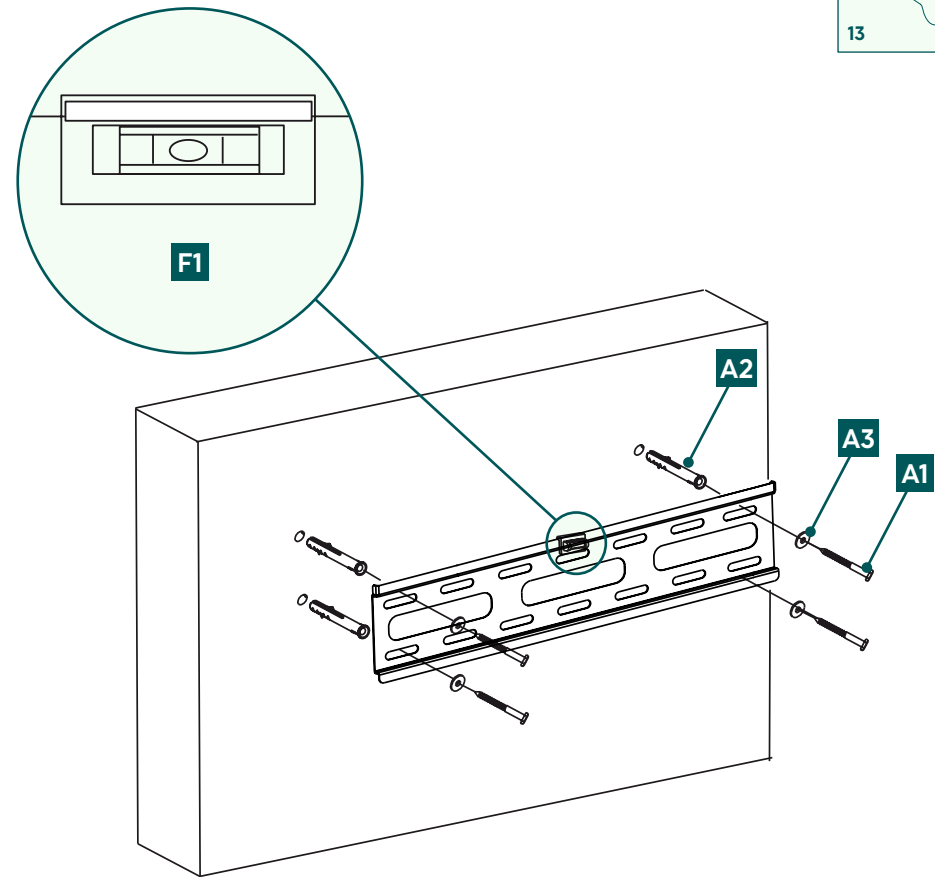
Installation kit

| | | | | | |
|-----------|--|-------------|-----------|--|------------|
| A1 | | 8x70 (x4) | D1 | | M8x12 (x4) |
| A2 | | Ø10x60 (x4) | D2 | | M8x20 (x4) |
| A3 | | M8 (x4) | D3 | | M8x30 (x4) |
| B1 | | M6 (x4) | D4 | | M8x50 (x4) |
| B2 | | Ø8x10 (x4) | E1 | | M4x12 (x4) |
| B3 | | Ø8x20 (x4) | E2 | | M4x20 (x4) |
| C1 | | M6x12 (x4) | F1 | | (x1) |
| C2 | | M6x20 (x4) | | | |

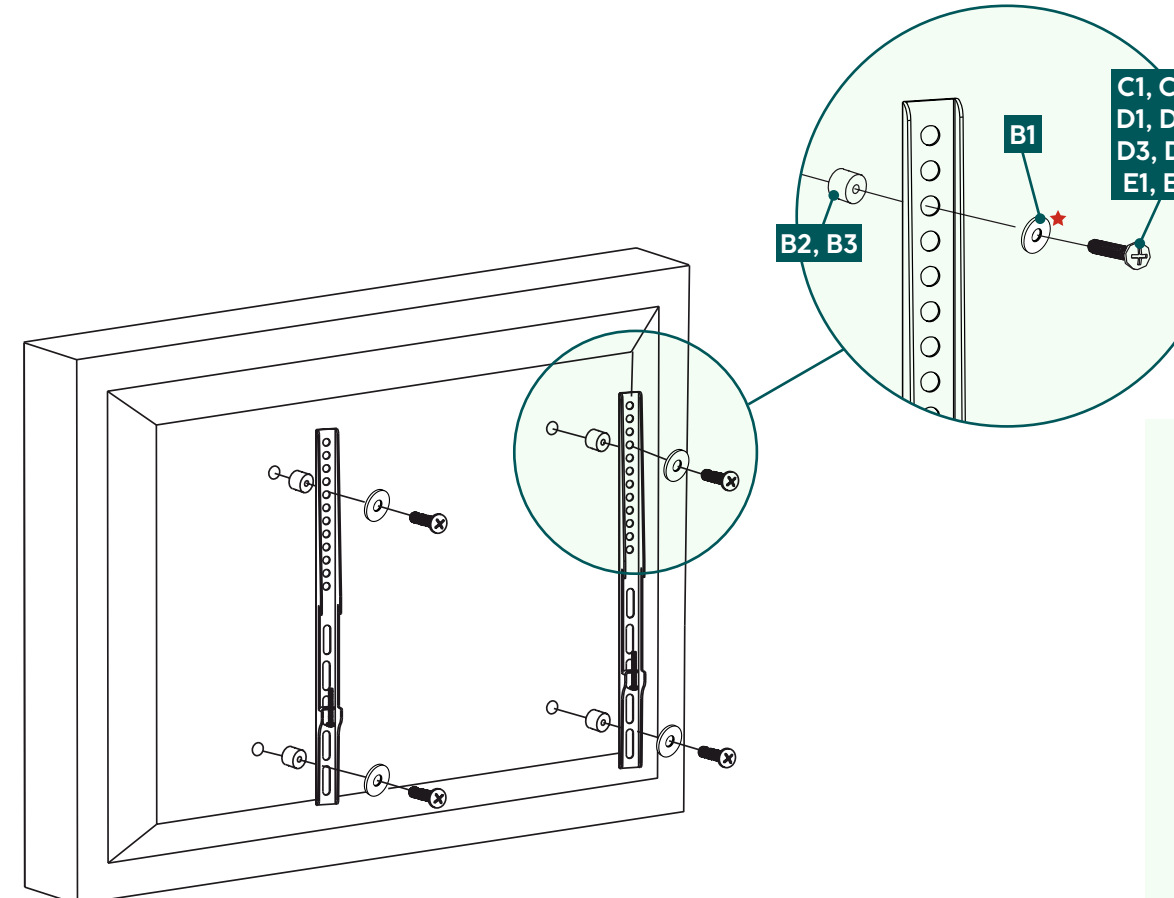
1 Drilling the holes



2 Wall mounting the bracket

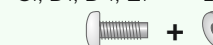


3 Mounting on backside of the TV



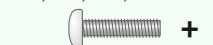
Flat TV backside

C1, D1, D4, E1 B1

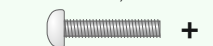


Curved TV backside

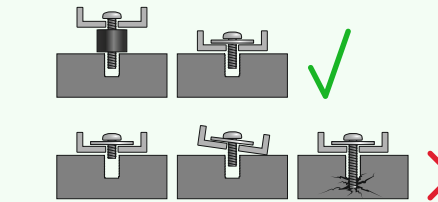
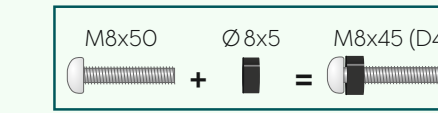
C2, D2, D4, E2 B1 B2



D3, D4 B3



★ You do not need a washer for the D-screws



4 Adjustment & Fixing

