

We are so happy
you have chosen a Hama product.

Enjoy using it!

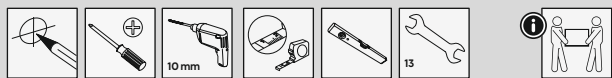


hama

00
118101

Quick Installation Guide

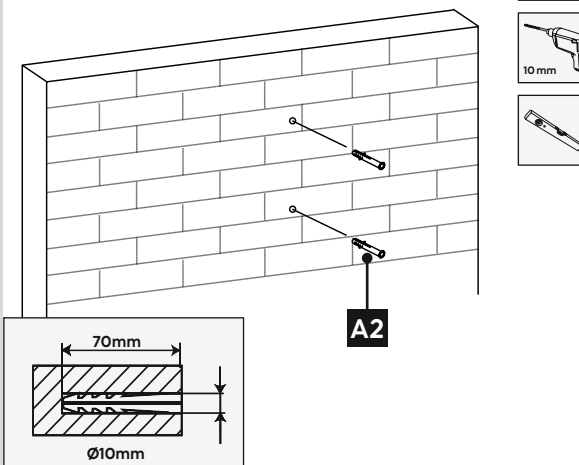
Required tools



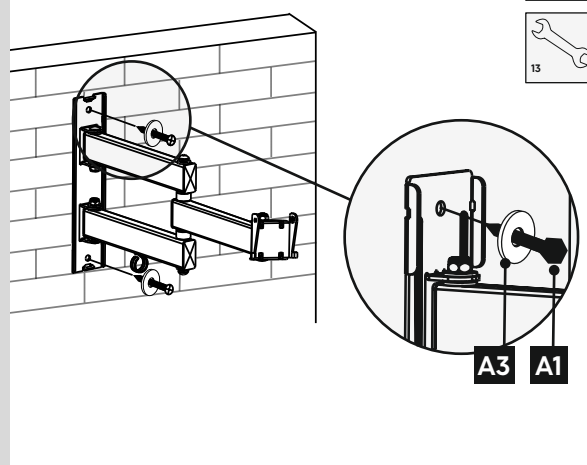
Installation kit

A1		8x70 (x2)	D2		M8x20 (x4)
A2		Ø10x60 (x2)	D3		M8x30 (x4)
A3		M8 (x2)	E1		M4x12 (x4)
B1		M6 (x4)	E2		M4x20 (x4)
B2		Ø8x10 (x4)	E3		M4x45 (x4)
B3		Ø8x20 (x4)	F1		M6x12 (x2)
C1		M6x12 (x4)	F2		M6 (x2)
C2		M6x20 (x4)	F3		(x2)
D1		M8x12 (x4)			

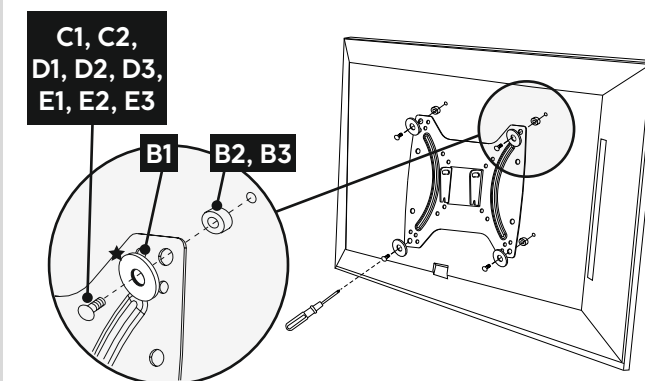
1a Drilling the holes



1b Wall mounting the bracket



2 Mounting on backside of the TV



Flat TV backside

C1, D1, E1, E3

B1

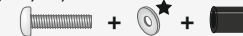


Curved TV backside

C2, D2, E2, E3

B1

B2

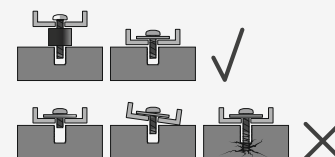


D3, E3

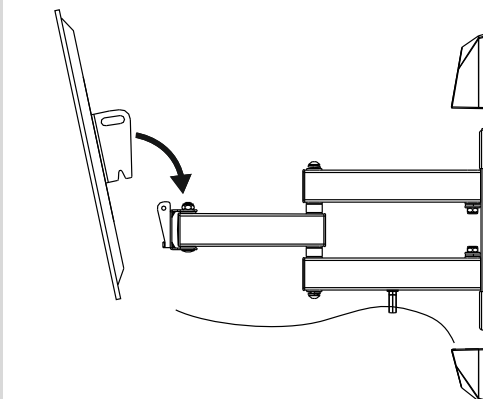
B3



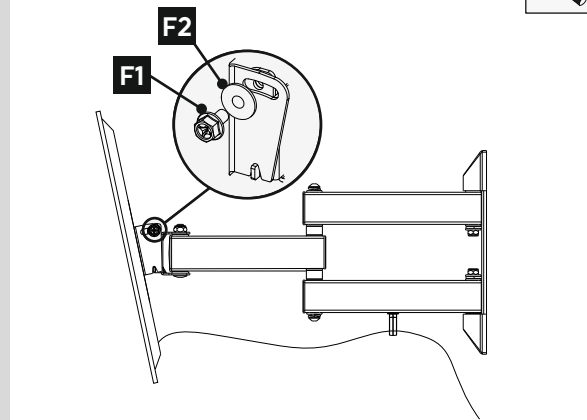
★ You do not need a washer for the D-screws



3a Adjustment



3b Fixing



???
Do you need more help?



Scan QR or visit:
support.hama.com/00118101

